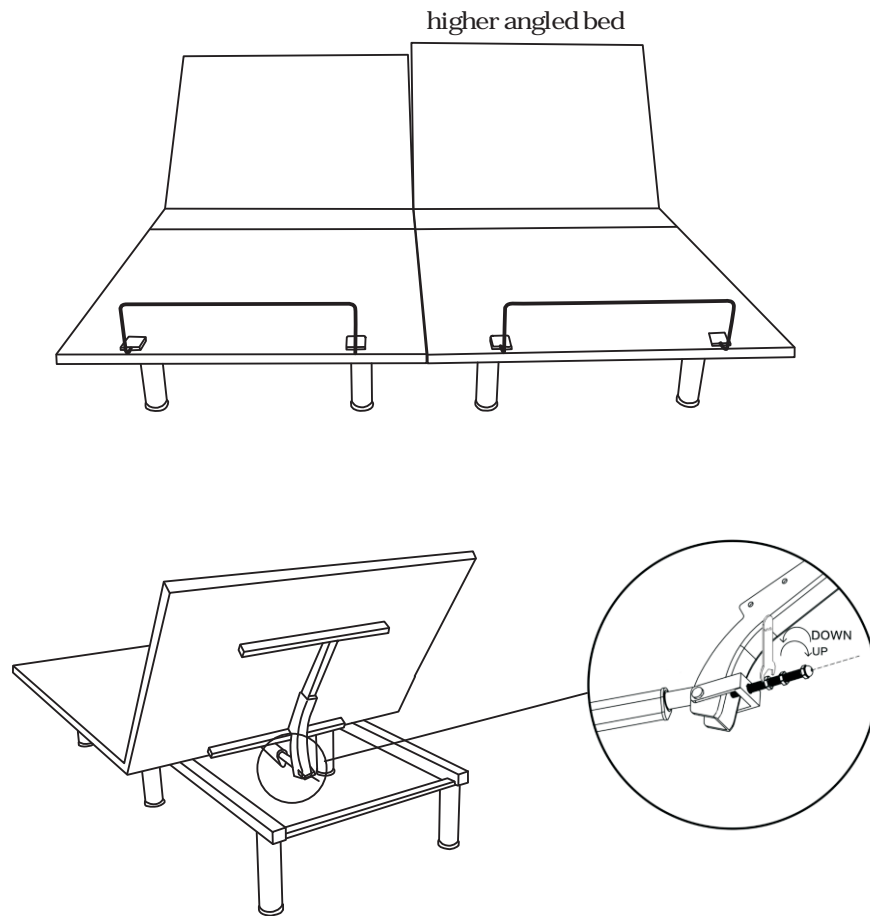


Adjustable Base HF04R5N Wireless



Owner's Manual

INNOVA
SLEEP SYSTEMS

CONTENTS

Advisory

Setup and Installation

Wireless Hand Control

1-3-10 year Warranty

WHEN TWO BEDS DO NOT ALIGN:
on the higher angled bed of the two, use a 19mm
wrench to turn the nuts on the new "LEVEL RIGHT"
counterclockwise to adjust the angle until the higher
angle bed match the level of the lower angle bed and
lock the nut with the reinforce nuts.

The two beds are now aligned. (for Twin XL and
Split CK)

