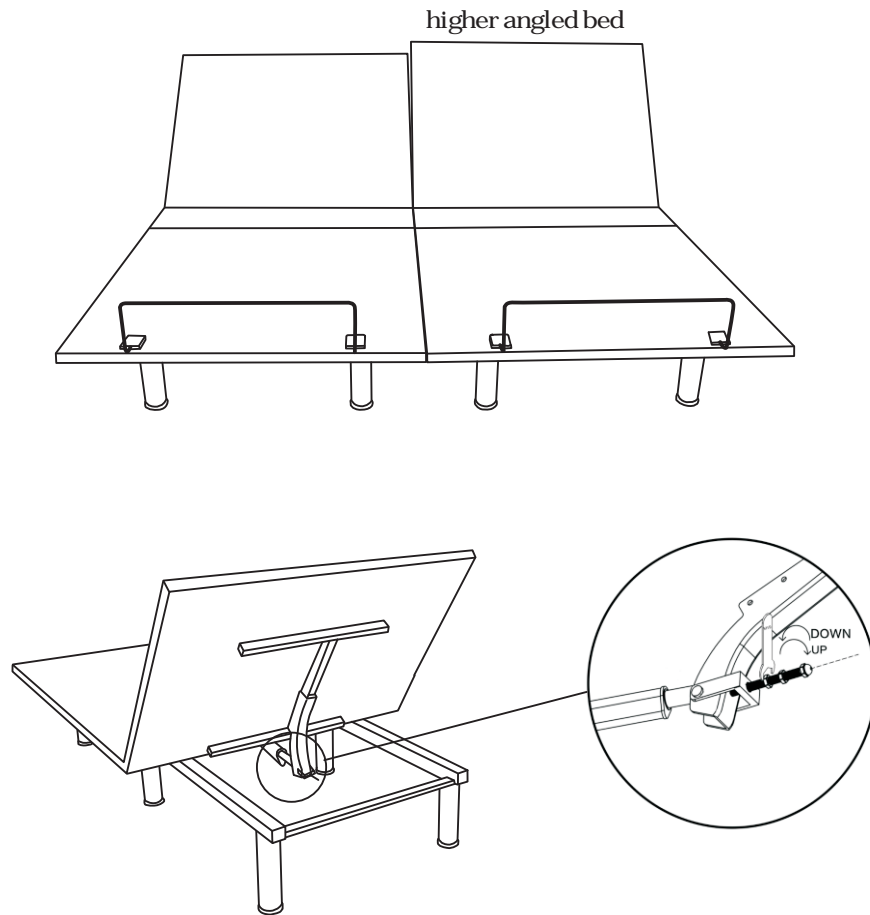


Adjustable Base # HFA01M1 Wired



Owner's Manual

INNOVA™

SLEEP SYSTEMS

WHEN TWO BEDS DO NOT ALIGN:

on the higher angled bed of the two, use a 19mm wrench to turn the nuts on the new “LEVEL RIGHT” counterclockwise to adjust the angle until the higher angle bed match the level of the lower angle bed and lock the nut with the reinforce nuts.

The two beds are now aligned. (For Twin XL Only)

CONTENTS

Advisory
Setup and Installation
Wireless Hand Control
1-3-10 year Warranty

dīvfIK

_, ÷Kkvyv† r‡.v††bv†rz€xSr..‡†, ^ €†vuf f†zvlu, Š €lw.1
 †yzfz€x1 €)C‡c v~, %d‡yvf† r‡.v††bv†rz€xSr.1 €‡yv1w, †l w‡yv1
 svubr†v†€ul† .€‡yvbr.1 f. zy††r€ulvz€††r}}bC‡r.xw}}C‡}z€z€x1
 r€ulf^ †yz€x‡yvbr.1€†, †f}rtvN€†v. ‡‡yv1v†rz€x†}z††‡, †vt^ .v1
 ‡yvbr.1€†, †f}rtvN‡dvwMx^ .v† E†F† kyv1v†rz€x1sr.1† ‡ 1
 f.v%€‡‡yv† r‡.v††w.,~ †}zffz€x1 ^ ‡‡yvbr†v†€ul†y, ^ }u€, ‡bv1
 ^ †vul††††yr€u}v1 w‡yvbr†v†f †z€x††††yr€u}vŠ ‡}ur~ rxvul†yv1
 .v†rz€x1sr.1y, }uv.†?d†.vŠ ††, ~ v1 ^ †w.,~ ‡yv1v†rz€v.1sr.1
 y, }uv.†Š ‡}bv†, €†zv.xul††††ur~ rxvul†r.††€ul€, †† luvwt†?%d
 fr.††€ul†€, ††, %d.vubC‡yvŠ r...r€†C‡l

TRc VW ||j k V^` gVR_ U
 ef c_ k YV† Reec Vdd
 c VerZ_ Z XS Rcf aR} ZK_ S` eYM_ Udh YZ V
 d|ZU_ XZeZ_e` h |RTV?

VŁx^ ..v1E

VŁx^ ..v1F