

R2 Extended Troubleshooting Guide

IF NOTHING WORKS ON THE BED BASE:

A) Check for power to the base:

Check to see if there is a **green light on the transformer**, which is the black box attached to the power cord. Our bases should be plugged into a surge protector that is at least 600-700 joules, higher is better, and at most 400V, lower is better.

- If the green light is on, please proceed to the next step.
- If the green light is not on, please do a hard reset by **unplugging your base for 30 minutes** and plugging it back in to see if the light comes back on. If the green light still does not come on, please email service@innovasleep.com, or call 877-386-1373.
 - *If you have a split base*, please switch the transformers/power cords on the two sides of your base to see if the green light comes back on. If the light is still not on, please do a hard reset following the steps above.

B) Check that all connections are secure:

- Make sure that the power cord is securely plugged into the outlet and the transformer/control box.
- Confirm the remote and actuators are securely plugged into the control connector or control box ports.
 - *If you have a split base* and none of the steps above resolve the issue, try swapping your remotes. If the base still does not fully work, please email service@innovasleep.com, or call 877-386-1373.

USING ONE REMOTE TO CONTROL TWO BEDS:

C) Information for Customers with split bases:

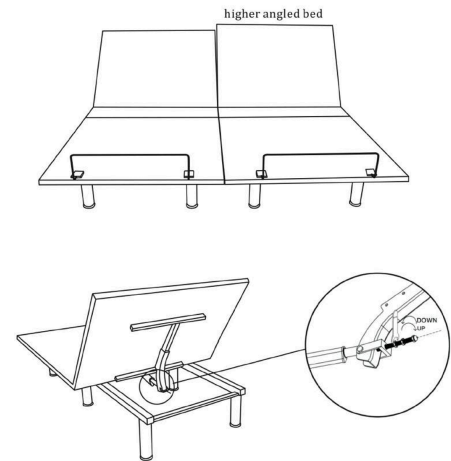
If you have a king-sized bed, your base may be composed of two separate Twin XL or Split-Cal King bed bases with two sets of electronics.

You can use the same remote to control two side-by-side bed bases by connecting the two transformer adapters with the SYNC CORD.

- 1) To use the same remote to control both bases:
 - a) Unplug your remotes from the two control boxes/control connectors then plug the SYNC CORD ends into where the remotes were plugged in.
 - b) Connect one wired remote cable to the female end of the SYNC CORD. Now both bases can be operated by one remote

WHEN TWO BEDS DO NOT ALIGN:

D) On the higher angled bed of the two, use a 19mm wrench to turn the nuts on the Level Right mechanism counterclockwise to adjust the angle until the higher angle bed matches the level of the lower angle bed and lock the nut with the reinforcement nuts.



Helpful Pictures:

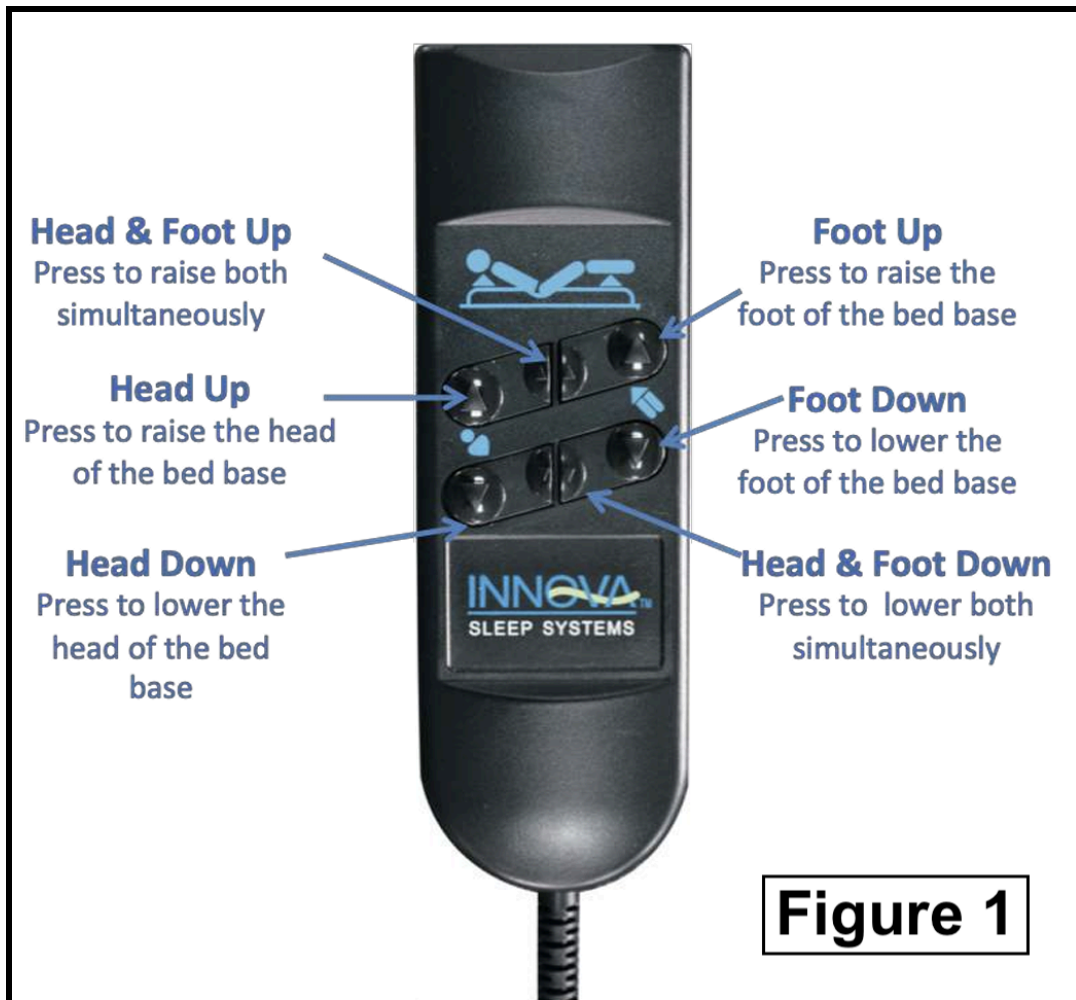
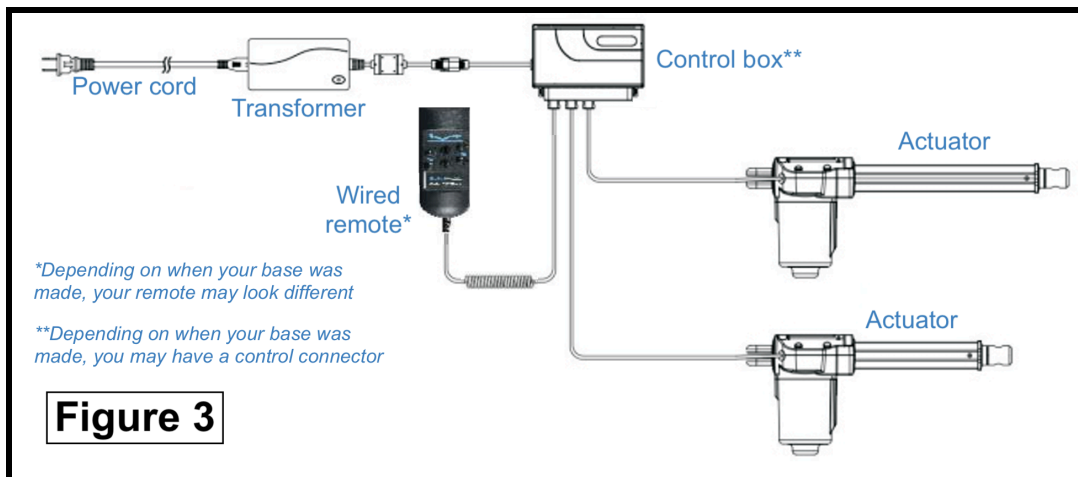
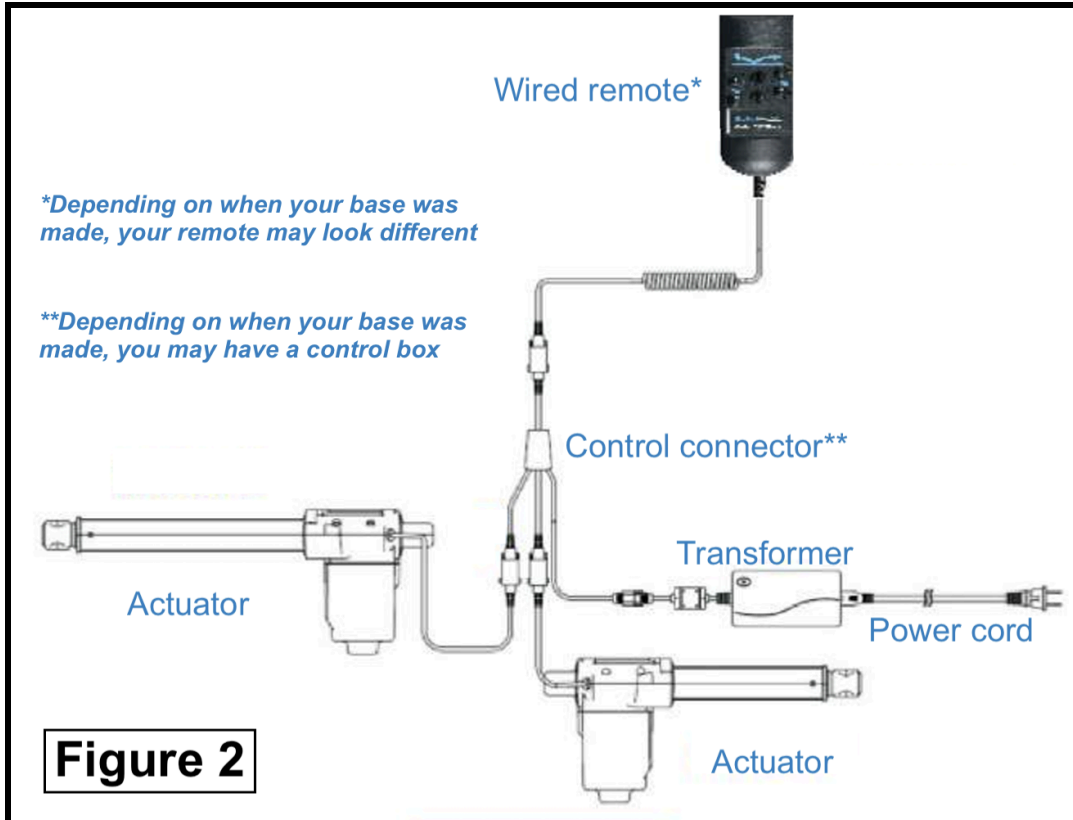


Figure 1



Please feel free to email us at service@innovasleep.com or call us at **877-386-1373** if you have any questions or concerns. If the troubleshooting guide did not resolve the issue with your bed base, please let us know what step the troubleshooting guide did not work for you so that we can diagnose the problem.