



SLEEP SYSTEMS

PB670 Wireless Adjustable Base

**With OKIN Refined Control
and Children Safety Lock**



Owner Manual

CONTENTS

Advisory

Setup and Installation

Wireless Hand Control

1-2-20 year Warranty

Manufactured by Innova Sleep Systems

WARNING

Attention: Read the following information before using this product. Failure to use a surge protection device could compromise safety or cause product malfunction and could void the electrical portion of your warranty.

Electrical surges are by far the biggest cause of problems with electrical circuits.

In order to help protect your investment in case of a power surge or outage, use an electrical surge protection device (not included).

WARRANTY WARNING!

Do not open or tamper with the transformer, control box, motors, or remote control (with the exception of battery compartments). The product warranty will be void if these components are tampered with.

SMALL CHILDREN AND PETS:

Immediately dispose of all packing materials as they can smother small children and pets. Do not allow any persons or pets under the bed. Children, convalescents and disabled person should not operate the bed without adult supervision.

HOSPITAL OR CONVALESCENT USE DISCLAIMER:

Adjustable beds are designed and engineered for a life style of in-home comfort and are not intended for hospital use or for a bed-ridden patient on an extended recovery. Adjustable beds are not equipped with bars to help patients get safely in and out of bed and are not intended to be used around tent type oxygen therapy or explosive gases.

PACEMAKER WARNING:

The massage units in this bed produce mechanical vibrations that

this warranty; (d) to damage to mattresses, fabric, cables, electrical cords or items supplied by dealers. Contact the dealer for warranty information on these items; (e) if there has been any modification of the adjustable bed without prior written consent by Innova; (f) to costs for unnecessary service calls, including costs for in-home service calls solely for the purpose of education the consumer about the adjustable bed or finding an unsatisfactory power connection; (g) if the recommended weight restriction is not followed (refer to the advisory section of this manual), the warranty will be void. Repairs to or replacement of an adjustable bed or its components under the terms of this limited warranty will apply to the original warranty period and will not serve to extend such period. The decision to repair or to replace defective parts under this warranty shall be made, or cause to be made, by INNOVA at its option and in its sole discretion. Repair or replacement shall be the sole remedy of the purchaser. There shall be no liability on the part of Innova for any special, indirect, incidental, or consequential damages or for any other damage, claim, or loss not expressly covered by the terms of this warranty. This limited warranty does not include reimbursement for inconvenience, removal, installation, setup time, loss of use, shipping, or any other costs of expenses, Innova and/or its service technicians shall not be responsible for moving furniture or any other items not attached to the adjustable bed in order to perform service on the adjustable bed. It is the sole responsibility of the purchaser to provide adequate space and accessibility to the adjustable bed. In the event that the technician is unable to perform service due to lack of accessibility, the service call will be billed to the purchaser and the service will have to be rescheduled. Innova makes no other warranty expressed or implied, and all implied warranties of merchantability and fitness for a particular purpose are disclaimed by Innova and excluded from this agreement. Some states do not allow the exclusion or limitation of incidental or consequential damages, so the above limitation or exclusion may not apply to every purchaser. This warranty gives the purchaser specific legal rights, and the purchaser may also have other rights, which may vary from state to state. This warranty is valid in all 50 states, Puerto Rico, and Canada.

INNOVA SLEEP PRODUCT

1, 2 & 20 YEAR LIMITED WARRANTY

Innova Sleep Systems, Inc. (“Innova”) warrants this adjustable bed to the consumer who is the original purchaser (the “purchaser”), subject to the terms and conditions set forth herein. This warranty begins on the “warranty commencement date” which is the date of purchase for new unused beds and the date of manufacture for beds that have been used as floor or display models. Thus, on a floor model bed, the warranty is a portion of the limited 20 year warranty.

FULL 1 YEAR WARRANTY

This adjustable bed is warranted against defects in the workmanship or materials for a period of one (1) year from the warranty commencement date. Upon notice during the first year after the warranty commencement date, Innova will repair or replace (at no cost to the purchaser) any defective adjustable bed part, and INNOVA will pay all authorized labor and transportation costs associated with the repair or replacement of any parts found to be defective. When the adjustable bed at hand is found to be DAMAGED, not DEFECTIVE, all costs incurred to inspect and/or correct the requested issue will be the financial responsibility of the requesting party.

2 YEAR LIMITED WARRANTY

During the second year from the warranty commencement date, upon receipt of written notice, INNOVA will replace any adjustable bed part found to be defective. Purchaser shall pay all service and transportation costs related to the replacement of the defective part. This limited two (2) year warranty shall not apply unless the defective part is returned to INNOVA and INNOVA receive all service and transportation cost for validation.

20 YEAR LIMITED WARRANTY

Upon written notice during the third year through the 20th from the warranty commencement date, INNOVA will replace, upon term and conditions set forth in this paragraph, any mechanical bed part found to be defective. Electronics, electrical components, drive motors and massage motors are excluded. This limited warranty shall not apply unless the defective part is returned to INNOVA and INNOVA receive all service and transportation cost for validation. In years 3 - 20 years, purchaser shall pay all service and transportation costs related to the replacement of the defective part and required to pay 1/20 of the current replacement cost of the parts times the number of year used.

ADDITIONAL TERMS AND CONDITIONS

This warranty does not apply; (a) to any damage caused by the purchaser; (b) if there has been any repair or replacement of adjustable bed parts by an unauthorized person; (c) if the adjustable bed has been mishandled (whether in transit or by other means), subjected to physical or electrical abuse or misuse, or otherwise operated in any manner inconsistent with the operation and maintenance procedures outlined in the Owner’s Manual and

may activate a special sensor in your pacemaker that detects motion. This can fool the pacemaker into “thinking” you are engaged in some sort of physical activity and require a faster heart rate. You may experience a sensation similar to when you are exercising. Consult your physician for further information.

PRODUCT RATINGS:

The bed lift motors are not designed for continuous use of more than 2 minutes in an 18 minutes period, or approximately 10% duty cycle. Any attempt to circumvent or exceed this rating will shorten the life expectancy of the product and may void the warranty.

WEIGHT UNITS:

The limitation for this adjustable bed is 750 lbs. The bed will structurally support these weights, provided weight is evenly distributed across the head and foot sections. This product is not designed to support or lift this amount in the head or foot section alone. Exceeding this weight restriction could damage the bed and/or cause injury and void the warranty. Enter or exit the bed in a flat position and do not sit on the head or foot sections while in the raised position.

LIFTING AND LOWERING MECHANISMS AND MASSAGE UNITS:

It is normal for the raising and lowering feature on this bed to emit a minimal humming sound during operation. The massage feature creates a vibrating hum during operation and the resonance will increase accordingly with a higher intensity motor setting.

LOCATION ENVIRONMENT:

The level of sound experienced in a room is directly related to the environment within that location. In a room with hardwood floors and the massage units turned on, a vibrating noise can be noticeable. To reduce the resonance, place a piece of carpet or rubber casters cups under the legs. The rubber caster cups also prevent the bed sliding when located on smooth or hard surface flooring.

TO REDUCE THE RISK OF SHOCK, BURNS, FIRE OR INJURY:

Make sure the base is in a flat position and the vibrating motors are turned off before unplugging the bed base from the power source. Always unplug the base from the electrical outlet before cleaning or servicing the base . If the cord or plug is damaged, discontinue use of the bed base. Contact a qualified service personnel for examination and repair.

FCC COMPLIANCE:

This device complies with part 15 of the FCC Rules for residential use. Operation is subject to the following two conditions: (1) This device may not cause harmful interference, and (2) this device must accept any interference received, including interference that may cause undesired operation.

Radio Frequency: 2.4 GHz

EMERGENCY BATTERY BACKUP:

In the event that the base is stuck in an articulated position during a power outage, the battery backup in the transformer can be used to return the base to flat position . To use the battery backup, install two 9-volt alkaline batteries into the battery backup transformer (fig 1). Press the "Emergency Lowering" button on the control box (see fig 9) to return the bed to the level position . Alternately, you can use the remote control to return the bed to the level position. First, press the "foot down" button. And then, press the "head down" button . When using the battery backup, pressing the "flat" button on the remote will not return the bed to the level position.

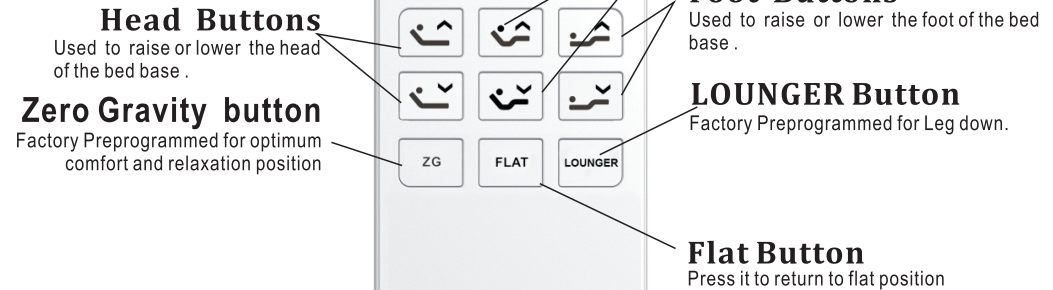
Please note that batteries are for backup only and are not to be used for normal operation of the bed base.



Figure 1
4-11



**OKIN Wireless Remote
#PB670 Adjustable Bed
Base**



**For toll-free customer service, call 1-877-386-1373
email us: service@innovasleep.com
Please tell us your name, phone, address , serial No.
(found on the foot beam of the bed base),
and the problem when you call/email.**

USING SAME REMOTE:

The bed base is designed to allow two twin X-Long bases to become an Eastern King base and two Split-Cal-King bases to become a Cal-King base. Owner can use the same remote to control two side by side bed bases by Connecting the two control boxes with a cable. Plug one a sync cable into the “CYNCHRO CNTL” on the side of one control box and plug the other end of the sync cable into the second control box of “CYNCHRO CNTL”, then you can connect two control boxes(See figure 8&9). It is important that the two control boxes expected to work synchronously must be still configured differently to pair with the different remote control with different DIP-Switch position. Do not pair both control boxes with the same remote control, Each remote must have a different DIP-switch setting.



Figure 8

Figure 9

The synchronised cord is not on the full warranty list. We will replace the it for free if the defective one is mailed back.

If the foot section of the bed does not go flat after pressing the flat button on the remote control, it can be adjusted by turning the turnbuckle clockwise to raise the foot section or anticlockwise to lower the foot section. The turnbuckle is located on the foot leveler (See figure 10).

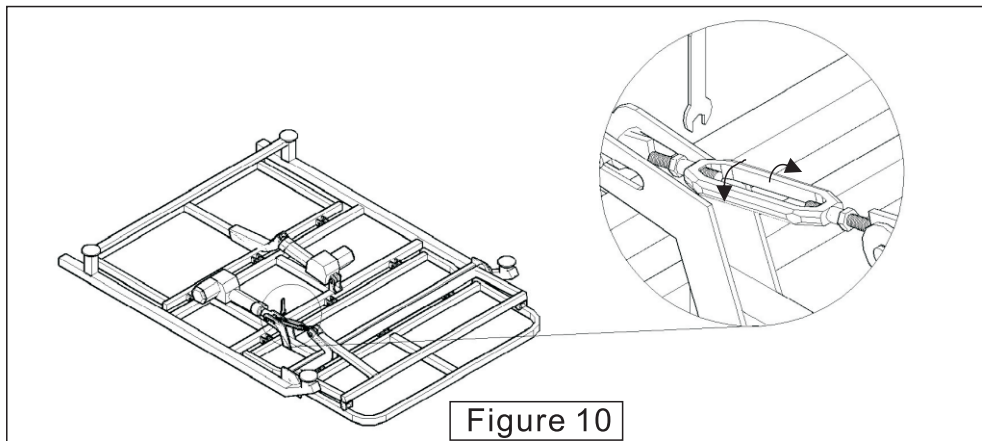


Figure 10

Setup is now complete. Enjoy.

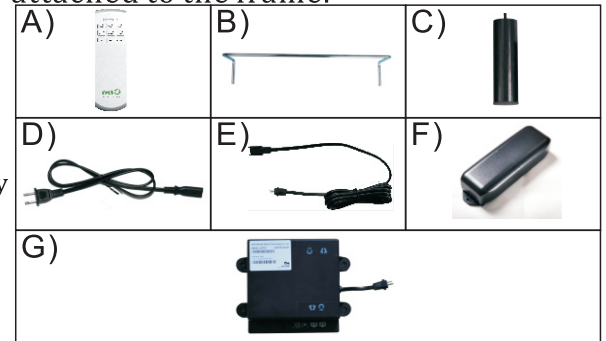
SETUP and INSTALLATION
Important: We strongly recommend two able-bodied adults setup and assemble this product.

Step 1:

Check and verify all parts are included before discarding any packing materials.

All electronics and components that need to be installed are located in boxes under the base or attached to the frame.

- A) Wireless Remote Control (1)
- B) Mattress Retainer Bar (1)
- C) Legs (4)
- D) Power Cord (1)
- E) Extension Cord (1)
- F) Transformer with emergency battery backup (1)
- G) Control Box (1)



Step 2:

With the help of your able-bodied assistant, place carton on floor with arrows point downwards.

Step 3:

Connect the Transformer “F” to Control Box “G”: The Control Box is the Black Box attached to the bottom of the bed. Connect one side of Extension Cord “E” with the Control Box “G” and plug another side of Extension Cord “E” into Transformer “F”. Extend the Power Cord “D” plug into Transformer “F”. (See Figure 2)

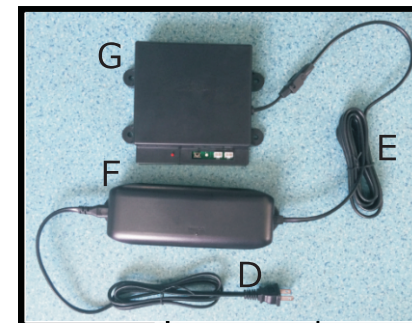


Figure 2

Step 4:

Locate the Wireless Remote control and insert 3 AAA batteries (See Figure 4) . Push the DIP SWITCH on the remote to a certain position (different from the position on the other remote) , if you have more than one adjustable bed .

Step 5& 6:

Plug electrical cord into a grounded electrical outlet. Using the wireless Remote, then push independently the head up button, foot up button , for a momentary test of the Wireless Remote. Please note that the actuator is a gravity down motor , it needs weight to come down . If the motor is working quickly let go of the button and skip to step 8.

Step 7:

Synchronize the remote with the control box. First find the black box mounted under the bed. Press the black LINK BUTTON until the LINK LED is flashing , then press HEAD UP and FOOT UP buttons simultaneously until the back light on remote control is flashing . The adjustable bed should be working after matching the remote with the control box . Press the Head Up button , Foot Up button , the vibrating motor and Flat Button to test . (See Figure 5) .



Figure 4

Figure 5

Step 8:

- Unplug the Power Cord.
- Install the four legs firmly into the base of the frame. The legs screw into the threaded holes in each corner of the adjustable base frame (See Figure 3).
- Do not over tighten .



Figure 3

Step 9:

With the help of your able-bodied assistant , carefully lift the adjustable bed frame and set it in place upright on its legs . Excessive pressure may damage the legs. Remove all protective plastic covering. Note: check and make sure that all power cords clear and do not interfere with any Adjustable Bed Mechanisms; Dispose of plastic covering properly to avoid injury.

Step 10:

Note : The Mattress Retaining Bar is mounted upside down for shipping only . Remove the Mattress Retaining Bar on the foot of the bed and turn the bar upright and re-install by carefully aligning and pushing the bar into place . Insert the retaining clips to secure the bar into place . (See Figures 6 & 7.)

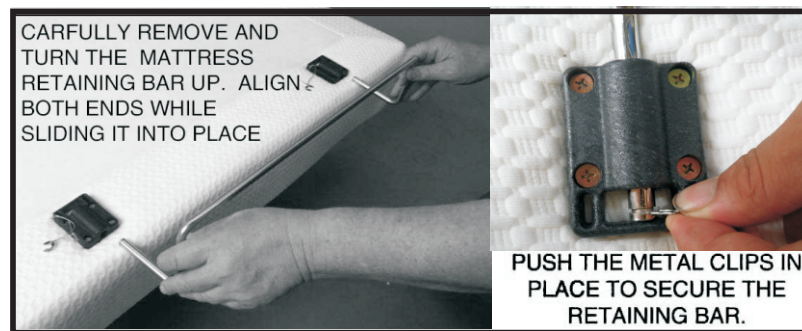


Figure 6

Figure 7

The retaining bar is to prevent the mattress from slipping out the base and should not be used as a handle of the base. Using as a handle will damaged the retaining bar holders. Screws come out from the retainer bar holders will be considered as a damaged part and not a defective part and is not covered by the warranty .