

Adjustable Base # CFA02M1 Wired



Owner's Manual

INNOVA
SLEEP SYSTEMS

CONTENTS

Advisory

Setup and Installation

Wireless Hand Control

3-5 year Warranty

WARNING

Attention: Read the following information before using this product . Failure to use a surge protection device could compromise safety or cause product malfunction and could void the electrical portion of your warranty.

Electrical surges are by far the biggest cause of problems with electrical circuits.

In order to help protect your investment in case of a power surge or outage, use an electrical surge protection device (not included).

WARRANTY WARNING!

Do not open or tamper with the transformer, control box, motors, or remote control (with the exception of battery compartments). The product warranty will be void if these components are tampered with.

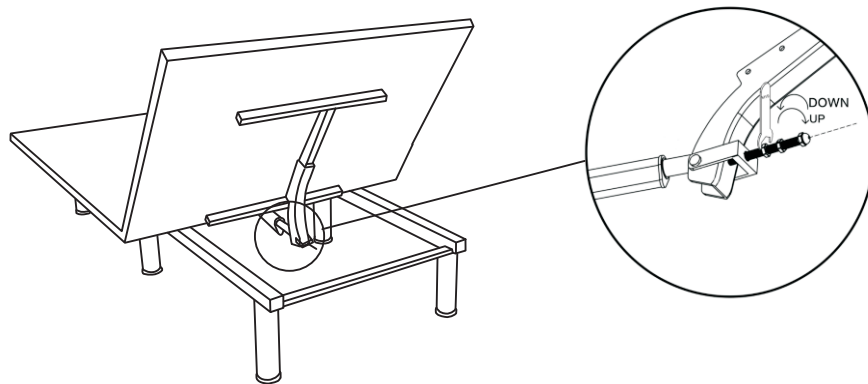
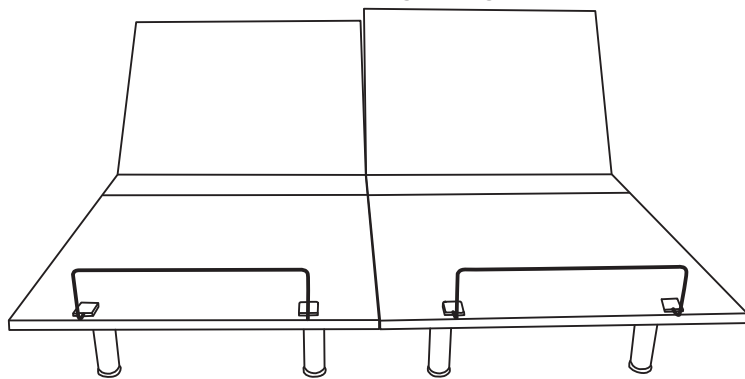
SMALL CHILDREN AND PETS:

Immediately dispose of all packing materials as they can smother small children and pets. Do not allow any person or pets under the bed base . Children, convalescents and disabled person should not operate the bed base without adult supervision.

HOSPITAL OR CONVALESCENT USE DISCLAIMER:

Adjustable bed bases are designed and engineered for a life style of in-home comfort and are not intended for hospital use or for a bed-ridden patient on an extended recovery. Adjustable bed bases are not equipped with bars to help patients get safely in and out of bed base and are not intended to be used around tent type oxygen therapy or explosive gases.

higher angled bed



WHEN TWO BEDS DO NOT ALIGN:

on the higher angled bed of the two, use a 19mm wrench to turn the nuts on the new “LEVEL RIGHT” counterclockwise to adjust the angle until the higher angle bed match the level of the lower angle bed and lock the nut with the reinforce nuts.

The two beds are now aligned. (For Twin XL Only)

PRODUCT RATINGS:

The bed base lift motors are not designed for continuous use of more than 2 minutes in an 18 minutes period, or approximately 10% duty cycle. **Any attempt to circumvent or exceed this rating will shorten the life expectancy of the product and may void the warranty.**

WEIGHT UNITS:

The limitation for this adjustable bed base is 750 lbs. The bed base will structurally support these weights, provided the weight is evenly distributed across the bed base. This product is not designed to support or lift this amount in the head or foot section alone.

Exceeding this weight restriction could damage the bed base and/or cause injury and void the warranty. Enter or exit the bed base in a flat position and do not sit on the head or foot sections while in the raised position.

LIFTING AND LOWERING MECHANISMS:

It is normal for the raising and lowering feature on this bed base to emit a minimal humming sound during operation.

LOCATION ENVIRONMENT:

The level of sound experienced in a room is directly related to the environment within that location. To reduce the resonance, place a piece of carpet or rubber casters cups under the legs. The rubber caster cups also prevent the bed base sliding when located on smooth or hard surface flooring.

TO REDUCE THE RISK OF SHOCK, BURNS, FIRE OR INJURY:

Make sure the base is in a flat position before unplugging from power source. Always unplug the base from the electrical outlet before cleaning or servicing the base. If the cord or plug is damaged, discontinue use of the bed base and contact qualified service personnel for examination and repair.

FCC COMPLIANCE:

This device complies with part 15 of the FCC Rules for residential use. Operation is subject to the following two conditions: (1) This device may not cause harmful interference, and (2) this device must accept any interference received, including interference that may cause undesired operation.

Radio Frequency: 2.4 GHZ.

SETUP and INSTALLATION

Important: We strongly recommend two able-bodied adults setup and assemble this product.

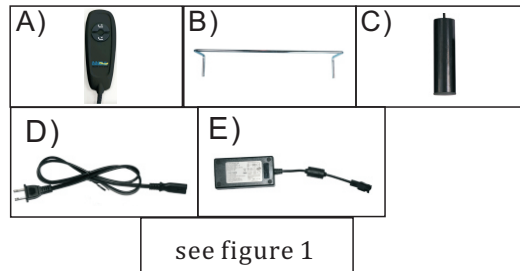
Step 1:

Check and verify all parts are included before discarding any packing materials. With the help of your able-bodied assistant, place carton on floor with arrows pointing downward. Remove carton and unfold to open with the base upside down.

Step 2:

All electronics and components that need to be installed are located in boxes under the base or attached to the frame.

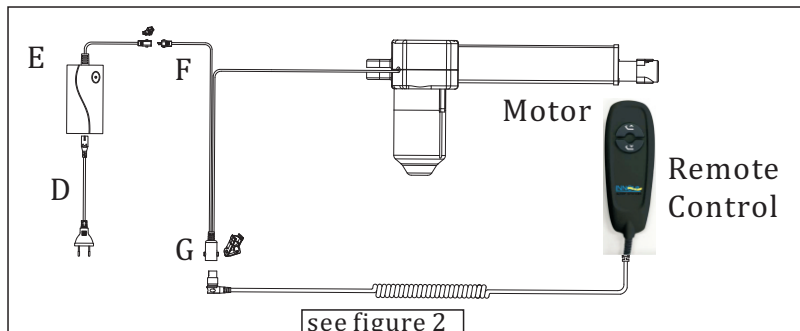
- A) Wired remote Control (1)
- B) Mattress Retainer Bar (1)
- C) Legs - 9" (6)
- D) Power Cord (1)
- E) Transformer (1)



see figure 1

Step 3:

Connect the Transformer "E" to Extend the Power Cord from the motor "F" and attach to the short electrical output cord on Transformer "E". Connect the remote control to Extend the Cord from the motor "G", Extend the Power Cord "D" and plug it into the Transformer "E". (See Figure 2)



motors and massage motors are also excluded. This limited lifetime warranty shall not apply unless the defective part is returned to Innova and Innova receive all service and transportation cost for verification. In years 4-5 years, purchaser shall pay all service and transportation costs related to the replacement of the defective part and required to pay 1/5 of the current replacement cost of the parts times the number of years used.

ADDITIONAL TERMS AND CONDITIONS

This warranty does not apply: (a) to any damage caused by the purchaser; (b) if there has been any repair or replacement of adjustable bed parts by an unauthorized person; (c) if the adjustable bed has been mishandled (whether in transit or by other means), viz, subjected to physical or electrical abuse or misuse, or otherwise operated in any manner inconsistent with the operation and maintenance procedures outlined in the Owner's Manual and this warranty; (d) to damage to mattresses, fabric, cables, electrical cords or items supplied by dealers. (Contact the dealers for warranty information on those items;) (e) if there has been any modification of the adjustable bed without prior written consent by Innova; (f) to costs for unnecessary service calls, including costs for in-home service calls solely for the purpose of education the consumer about the adjustable bed or finding an unsatisfactory power connection; (g) if the recommended weight restriction is not followed (refer to the advisory section of this manual), the warranty will be void; (h) to the use of the adjustable bed base in whatsoever and howsoever manner other than the personal in home use exclusively by the purchaser.

Repairs to or replacement of an adjustable bed base or its components under the terms of this limited warranty will apply to the original warranty period and will not serve to extend such period. The decision to repair or to replace defective parts under this warranty shall be made, or cause to be made, by Innova at its option and in its sole discretion. Repair or replacement shall be the sole remedy available to the purchaser. There shall be no liability on the part of Innova for any special, indirect, incidental, or consequential damages or to any other damage, claim, or loss not expressly covered by the terms of this warranty. This limited warranty does not include reimbursement for inconvenience, removal, installation, setup time, loss of use, shipping, or any other costs of expenses, Innova and/or its service technicians shall not be responsible for moving furniture or any other items not originally attached to the adjustable bed in order to perform service on the adjustable bed. It is the sole responsibility of the purchaser to provide adequate space and accessibility to the adjustable bed. In the event that the technician is unable to perform service due to lack of accessibility, the service call will be billed to the purchaser and the service will have to be rescheduled. Innova makes no other warranty whether expressed or implied, and all implied warranties of merchantability and fitness for a particular purpose are disclaimed by Innova and excluded from this warranty. Some states do not allow the exclusion or limitation of incidental or consequential damages, so the above limitation or exclusion may not apply to every purchaser. This warranty gives the purchaser specific legal rights, and the purchaser may also have other rights, which may vary from state to state. This warranty is valid in all 50 states, Puerto Rico, and Canada.

INNOVA SLEEP PRODUCT

3 & 5 YEAR LIMITED WARRANTY

Innova Sleep Products, Inc. (“Innova”) warrants this adjustable bed to the consumer who is the original purchaser of a new product which was not sold “as is” (the “purchaser”), subject to the terms and conditions set forth herein. This warranty begins on the “warranty commencement date” which is the date of purchase for new unused beds base. But not more then 3 years from the date of manufacture.

Part Name	Parts warranty period	Labor warranty period
Motor(s)	3 years	
Transformer(s)	3years	
Control box(es)	3 years	
Remote control	1 year	
USB	1 year	

During the Parts warranty period, there will be no charge for parts. During the Labor warranty period, there will be no charge for labor. If repair is needed during the warranty period, the purchaser will be required to produce a sales receipt/proof of purchase evidencing the date of purchase, the amount paid and the place of purchase. If no such sales receipt/proof of purchase is produced, full amount of charges for labor and the parts shall be paid before any services could be rendered.

3 YEAR LIMITED WARRANTY

During the second year from the warranty commencement date, upon receipt of notice, Innova will replace any adjustable bed base part found to be defective with new or refurbished parts. Purchaser shall pay all service and transportation costs related to the replacement of the defective part. This limited three (3) year warranty shall not apply unless the defective part is returned to Innova and Innova receive all service and transportation cost for verification.

5 YEAR LIMITED WARRANTY

Upon written notice during the third year through the 5th year from the warranty commencement date, Innova will replace, upon terms and conditions set forth in this paragraph, any mechanical bed base parts found to be defective. Electronics, electrical components, drive

Step4:

Plug electrical cord into a grounded electrical outlet .Using the Wired Remote ,push the Head Up button for a momentary test .If the motor does not move ,please check and make sure the grounded electrical outlet is active and all connections are connected correctly. If the motor is working ,go to Step 5.

NOTE :The actuator is a gravity down motor which needs weight to come down.

Step 5:

Unplug the power cord .

Install the six legs firmly into the base of the frame . The legs screw into the threaded holes in each corner of the adjustable base frame . (See figure 3) .

Do not over tighten.



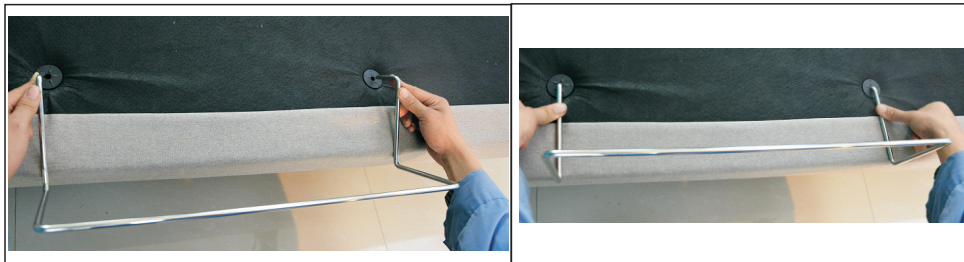
Figure 3

Step 6:

With the help of your able-bodied assistant , carefully lift the adjustable bed base frame and set it in place upright on its legs . **Do not set base on its side with angle pressure on the legs . Excessive pressure may damage the legs. Remove all protective plastic covering. Note: check and make sure that all power cords clear and do not interfere with any Adjustable Bed base Mechanisms; Dispose of plastic covering properly to avoid injury.**

Step 7:

Note : The Mattress Retaining Bar is mounted upside down for shipping only . Remove the Mattress Retaining Bar in the foot section of the bed bottom and turn the bar upright and reinstall by carefully aligning and pushing the bar into place . (See Figures 4 & 5.)The retaining bar is to prevent the mattress from slipping out the base and should not be used as a handle of the base. Using as a handle will damaged the retaining bar holders. Screws come out from the retainer bar holders will be considered as a damaged part and not a defective part and is not covered by the warranty.



See Figures 4 & 5

Setup is now complete. Enjoy.



**Wired Remote
Adjustable Beds**

Head Up Button

Press To Raise The Head Of The Bed Base

Head Down Button

Press To Lower The Head Of The Bed Base



**For toll-free customer service, call 1-877-386-1373
email us: service@innovasleep.com
Please tell us your name, phone, address , serial No.
(found on the foot beam of the bed),
and the problem when you call/email.**